

## PA-33

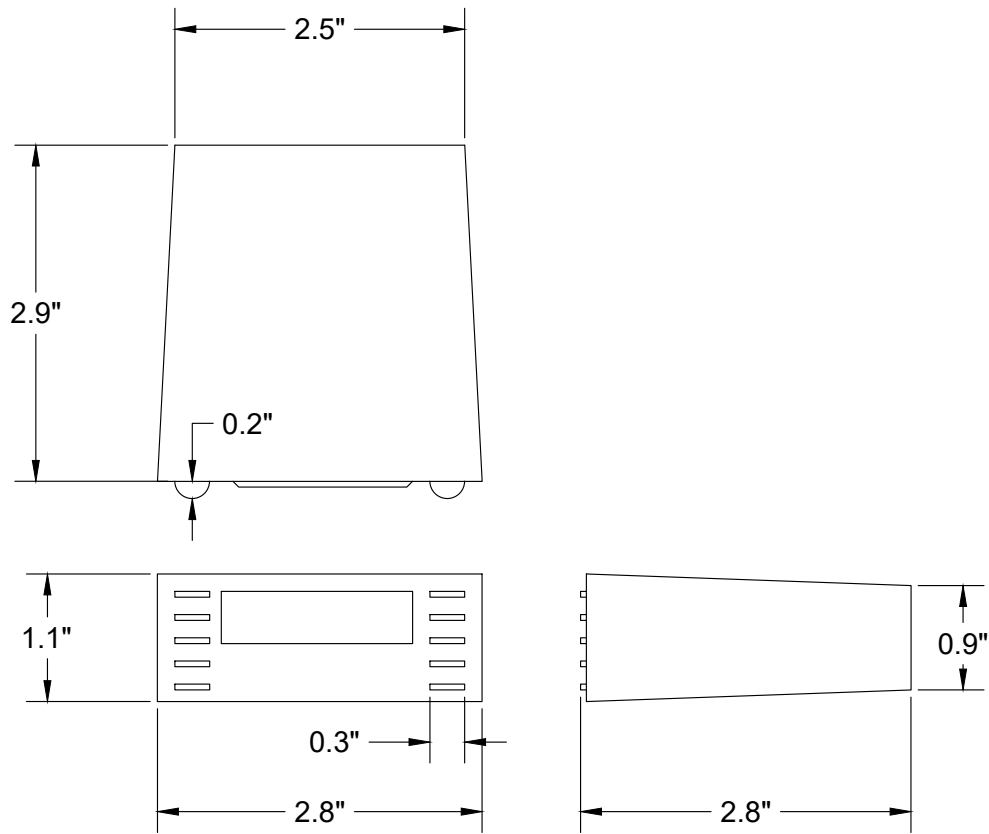
## Data Sheet



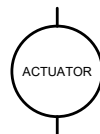
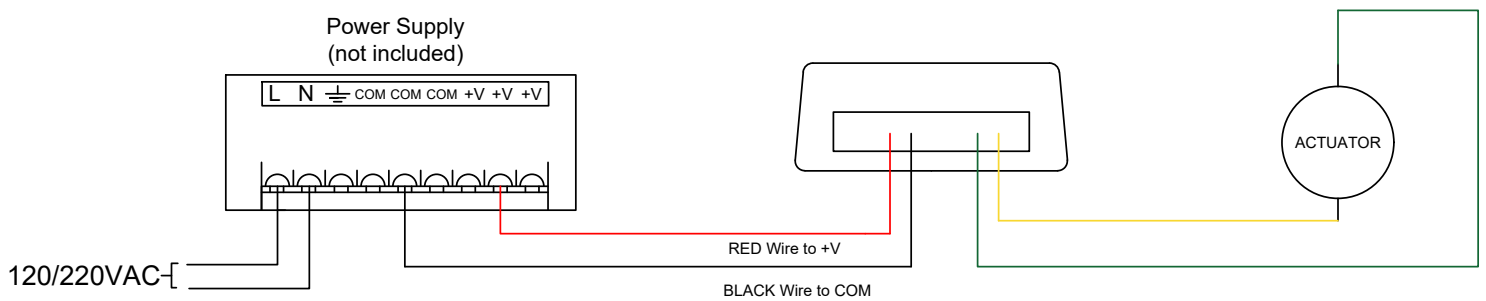
<b>Control Ability</b>	Single Channel Control
<b>Input Voltage</b>	12VDC
<b>Output Power</b>	12VDC
<b>Current</b>	20A
<b>Operational Temperature</b>	-25°C to 55°C
<b>Kit Includes</b>	2 Hand Remotes, 1 Control Box, Wire Harness
<b>Remote Functions</b>	Up, Down, Pause (Momentary & Non-Momentary)
<b>Remote Battery Type</b>	2x CR2016 3V Lithium Cell
<b>Size (L x H x W)</b>	2.9" x 1.1" x 2.8"
<b>Weight</b>	0.35 lbs
<b>Protection Class</b>	IP-65
<b>Warranty</b>	18 Months



# Dimensions



# Wiring Diagram



Type: DC Motor,  
Bi-directional

No. Connections: 2

# Momentary/Non-Momentary Mode



## Momentary Mode

- Ensure the Jumper S1 on the PCB is connected
- Hold UP to extend the actuator, let go to stop the actuator
- Hold DOWN to retract the actuator, let go to stop the actuator

## Non-Momentary Mode

- Ensure the Jumpers S1 on the PCB is disconnected
- Press UP to extend the actuator, Press UP again to stop the actuator
- Press DOWN to retract the actuator, Press DOWN again to stop the actuator
- If DOWN is pressed while the actuator is extending, it will reverse direction and begin to retract

# Remote Synchronization Process



- Open the control box and press the white button, the blue LED will turn on
- Press any button on the remote and the LED will turn off
- The remote is now saved to the control box
- A maximum of two remotes can be saved to one control box